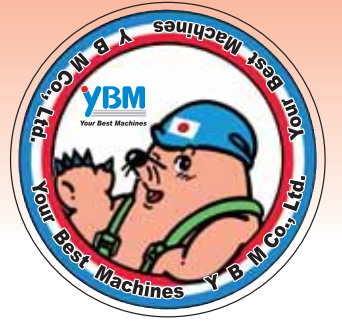
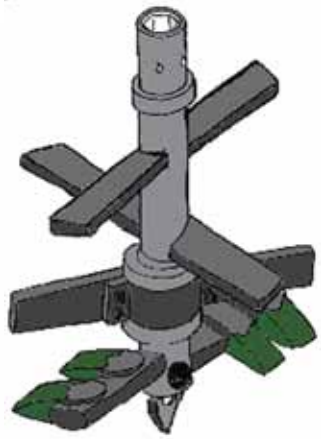


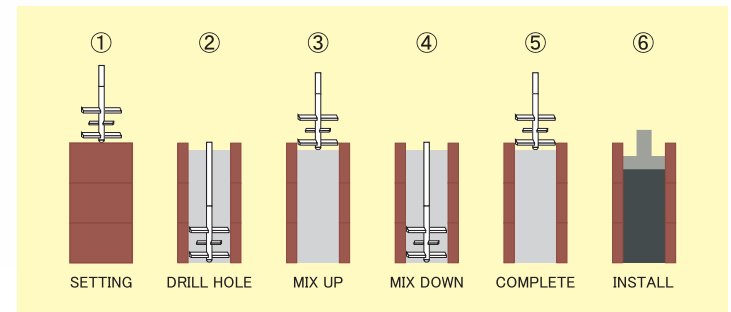
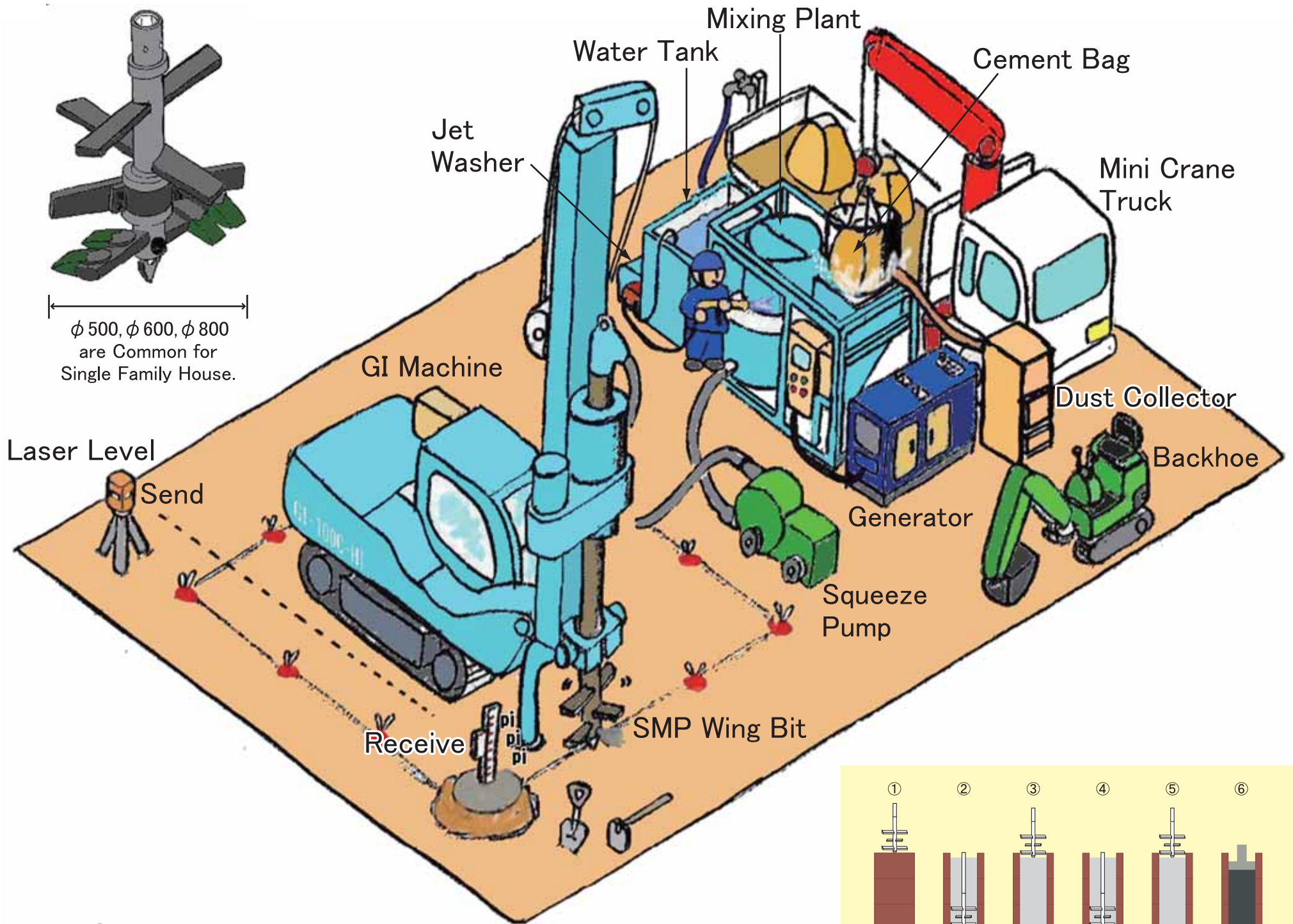
# SOIL MIX PILING



SMP Wing Bit



φ 500, φ 600, φ 800  
are Common for  
Single Family House.



Mixing Plant



CMA-06A-II

PRODUCTION CAPACITY : 6 m<sup>3</sup>/hour  
MIXING CAPACITY : 300 L (79 gal)  
AGITATING CAPACITY : 600 L (132 gal)  
CEMENT HOPPER VOLUME : 1 m<sup>3</sup> (264 gal)  
DIMENSION(LxWxH) : 1,520 × 2,800 × 2,400 mm  
(5' × 9' 2" × 7' 10")  
GROSS WEIGHT : 1,600 kg (3,530 lbs)

GI Machine

GI-50C-HT20K

SPINDLE SPEED : 6 ~ 70 min<sup>-1</sup>  
SPINDLE TORQUE : 19.5 kN·m  
FEED FORCE : 39.2 kN  
DIMENSION(LxWxH) : 7,920 × 2,000 × 2,500 mm  
(26' × 6' 7" × 8' 2")  
GROSS WEIGHT : 9,900 kg (21,830 lbs)

## SOIL MIX PILING (GROUT MIX PILING)

Soil Mix Piling for strengthening Housing foundation is very popular in Japan. GI-Series has been developed and improved for Soil Mix Piling, Pipe Piling and Jet Grouting uses.

Special Features are Compact design, Strong rotation torque (HT20K, HT25K), and Computer controlled, Process Management & Data Recording devices. Operator shall input the Drilling depth, Rotation speed, Feed speed, Grout flow rate in the Touch Panel, and able to perform Soil Mix Piling Automatically or Manually.

These process data can be checked on the spot, and recordable in USB memory card. ( Process time, Drilled depth, Rotation torque, Feed speed, Flow rate, Flow volume) Upon completion, the Printed record can be submitted to your valuable customers.

GI-50CII-HT : Max. 33 ft depth, SMP diameter : 500 - 600mm (Max 2 ft)

GI-80C-HT : Max. 40 ft depth, SMP diameter : 800 - 1,000mm (Max. 3.3 ft)

GI-100C-HT : Max. 40 ft depth, SMP diameter : 800 - 1,000mm (Max. 3.3 ft)

GI-200C-HT : Max. 40 ft depth, SMP diameter : 1,000 - 1,200mm (Max. 4 ft)



# YBM Co., Ltd. Japan