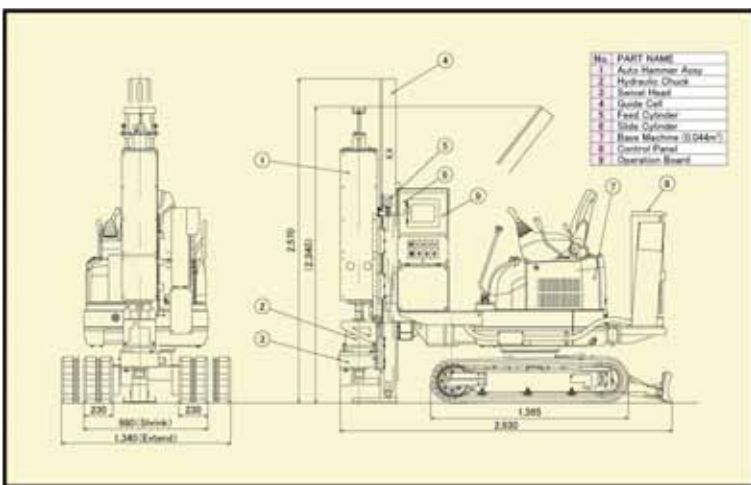
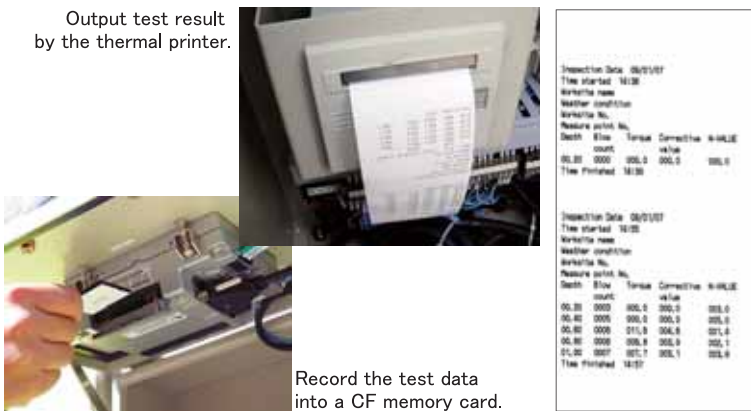
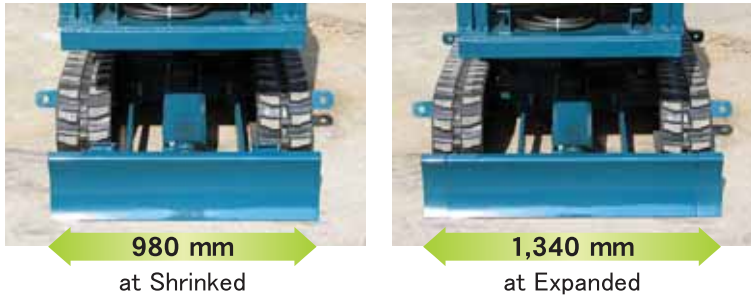


CRS-15 Automatic Ram Sounding Machine



Adopted a width adjustable track

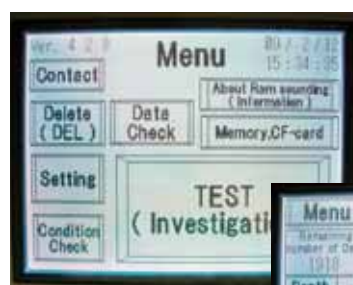


◆MODEL & TYPE	
Type	AUTOMATIC RAM SOUNDING MACHINE
Model	CRS-15
◆HAMMER DROPPING DEVICE HYDRAULIC CYLINDER & AUTO DROPPING DEVICE	
Weight of Hammer	63.5 kg
Height of Dropping	500 mm
Number of Drop	22 times/min.
◆FEED SYSTEM HYDRAULIC CYLINDER FEED	
Feed Speed	0 - 6.0 m/min. (Up) , 0 - 9.0 m/min. (Down)
Feed Stroke	1,140 mm
Pull Out Force	39.2 kN (Max.)
◆SPINDLE HYDRAULIC MOTOR DRIVE	
Rotation Speed	8 rpm (common use)
Rotation Torque	440 N-m (Max.)
Rod Chuck Device	HYDRAULIC CHUCK
◆CONTROL PANEL SEQUENCER CONTROL	
Recording Devices	THERMAL PRINTER, CF MEMORY CARD
◆OPERATION BOARD	
Display Monitor	TOUCH PANEL
Operation Switches	PUSH BUTTON, MONO LEVER, SELECTOR.
◆BASE MACHINE (CRAWLER) MITSUBISHI- CATAPILLER	
Model	301.5CR (CAT)
Running Speed	2.3 - 4.0 km / hour
Engine Output	11.3 kW (15.4 PS) / 2,100 rpm
◆DIMENTION & WEIGHT	
Dimension (L×W×H)	2,630×1,340×2,570 mm (Incline : 2,340 mm) { 8' 8" × 4' 5" × 8' 5" (Incline : 7' 8") }
Weight	2,060 kg (4,540 lbs)



Fully Automatic Ram Sounding Machine, CRS-15.

The most accurate strength testing for deeper and harder formations.



Touch Panel

Depth	Blow count	Torque	Correction value	Nid	Blow	Blow
0.00	7	0.5	3.0	3.2	1.0	1.0
0.08	10	1.4	4.6	5.4	1.0	1.0
0.16	14	2.9	6.2	8.3	1.0	1.0
0.24	18	5.7	8.9	11.7	1.0	1.0
0.32	19	7.2	8.9	11.7	1.0	1.0
0.40	4	0.8	0.8	0.8	1.0	1.0

- Built to test the soil strength when blow counts are more than 30, or deeper than 20 meters from GL. CRS-15 will accomplish accurate testing at even these difficult formations.
- User easily checks the test processes and data by simple-to-use touch panel. Results are printed immediately after testing by on-board printer.
- Provided a CF memory card to record the test data.
- Self-propelling crawler and Compact design allow mobility, and reduced mobilization time and testing costs, compared with standard penetration testing procedures.

YBM Co., Ltd. Japan